



1.5-3.5T Four Wheel Electric Forklift

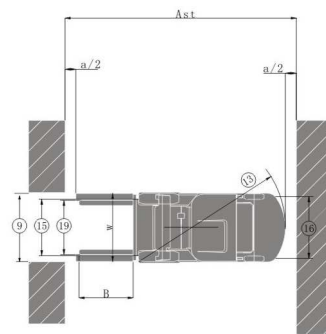
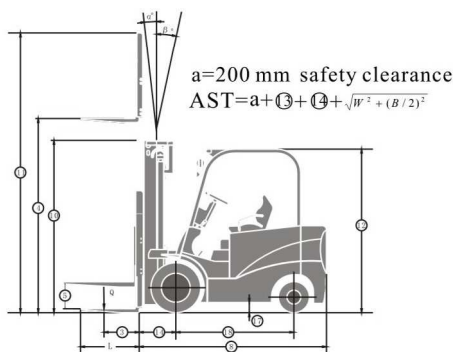
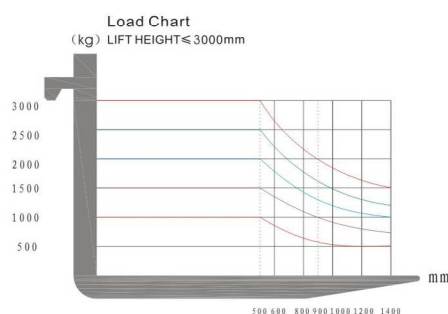


HANGZHOU SAMUK FORKLIFT CO.,LTD

SAMUK FORKLIFT SPECIFICATION

S series 1.5-3.5t Four Wheel Electric Forklift Specification

			FB15-SJZ	FB18-SJZ	FB20-SJZ	FB25-SJZ	FB30-SJZ	FB35-SJZ		
Specification	1	Model								
	2	Rated capacity	kg	1500	1800	2000	2500	3000	3500	
	3	Load centre	mm	500		500		500		
	4	Lifting height	mm	3000		3000		3000		
	5	Free lifting height	mm	135		160		165	170	
	6	Fork size	L×W×T	920×100×35		1070×122×40		1070×125×45		
	7	Tilting angle	F/R (α/β°)	6/12		6/12		6/12		
Dimensions	8	Overall Dimension	Length(to forkface)	mm	2140	2185	2375	2400	2615	2670
	9		Width	mm	1080		1150		1230	
	10		Height when mast lowered	mm	2015		2010		2075	2150
	11		Height when mast extended	mm	3984		3990		4100	4160
	12		Height to safeguard	mm	2130		2110		2150	
	13	Turning radius	Min.	mm	1956	1993	2080	2100	2280	2335
	14	Front overhang		mm	400		460		485	
	15/16	Tread	F/R	mm	890/920		960/950		1000/980	
	17	Ground clearance	Min.	mm	110		130		130	
	18	Wheelbase		mm	1380		1500		1680	
	19	Fork spread	Min./Max.	mm	200/890		250/1040		250/1100	
	20	Working aisle width with pallet(Ast)*	1000×1200 crossways	mm	3556	3593	3810	3830	4035	4090
	21		800×1200 lengthways	mm	3756	3793	3940	3960	4165	4220
	Performance	22	Speed	Travel(Laden)	km/h	13		11		12
23		Travel(Unladen)		km/h	13		12.5		13	
24		Lifting(Laden)		mm/s	290		290		250	
25		Lifting(Unladen)		mm/s	440		440		400	
26		Gradeability	Laden	%	15		15		15	
27			Unladen	%	15		15		15	
28		Service weight	Include battery box	kg	2950	3230	4130	4300	5060	5380
29		Tyre	Front×2		6.50-10-10PR		7.00-12-12PR		28×9-15-12PR	
30	Rear×2			5.00-8-8PR		18×7-8-14PR		18×9-8-14PR		
Driven	31	Motor	Driven motor	kw	7.5		11		12	
	32		Pump motor	kw	9.2		11		12	
	33	Battery	Standard(Optional)	V/Ah	48/450		48/600		80/500	
	34	Controller	Type		AC		AC		AC	
	35		Manufacturer		ZAPI		ZAPI		ZAPI	
36	Operating pressure for attachment	Mpa		14.5		17.5		17.5		



HANGZHOU SAMUK FORKLIFT CO.,LTD
Address:Lushan Industrial Area,Fuyang, Hangzhou,Zhejiang ,311407,China

Tel:+86-571-28001565
Website:www.samuklift.com

Fax:+86-571-28001570
E-mail:sales@samuklift.com

